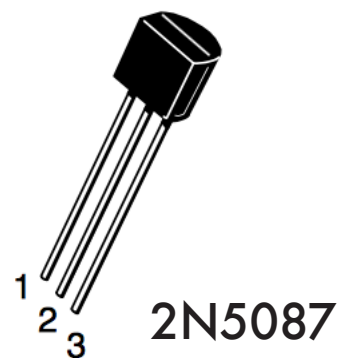
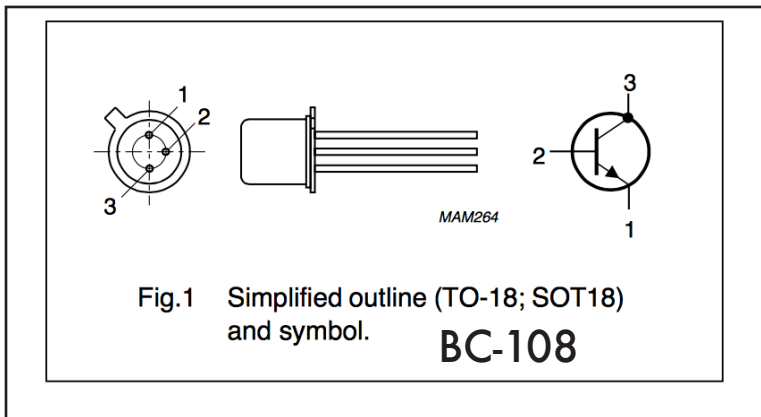


# TRANSISTOR REFERENCE



**CASE 29-04, STYLE 1  
TO-92 (TO-226AA)**

